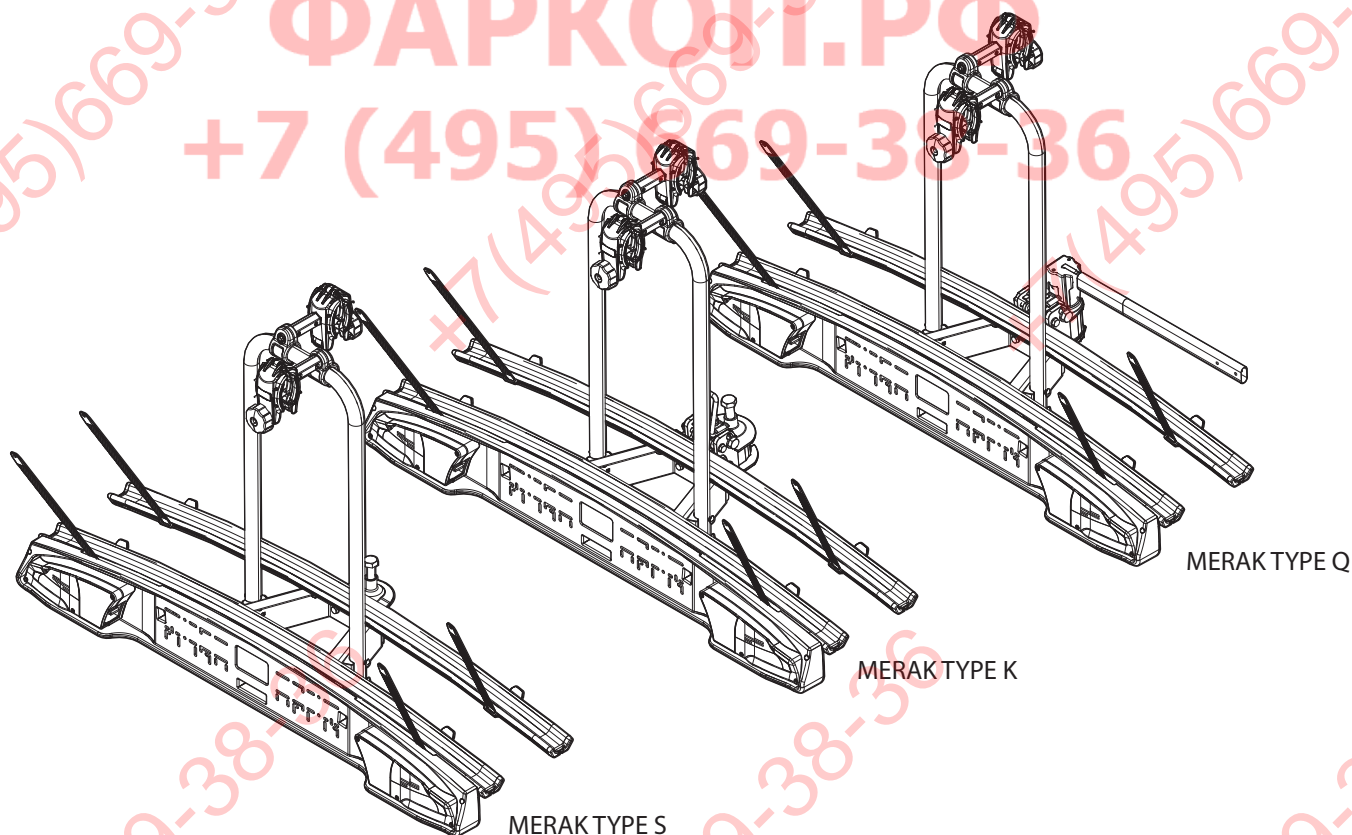


# MENABO

free time on the move

## MERAK

IT	Istruzioni di montaggio	ET	Paigaldusjuhend	PT	Instruções de Montagem
EN	Fitting instructions	FI	Asennusohje	RO	Instrucțiuni de montare
DE	Montageanleitung	HR	Uputa za sastavljanje	RU	Инструкции по установке
FR	Instructions de montage	HU	A felszerelés módja	SK	Návod na montáž
ES	Instrucciones de montaje	LT	Pritvirtinimo instrukcijos	SL	Navodila za pritrjevanje
BG	инструкции за сглобяване	LV	Stiprināšanas instrukcija	SV	Monteringsanvisning
CS	Návod na montáž	NL	Instrukcja montażu	TK	Uydurma talimat
DA	Monteringsvejledning	NO	Monteringsveiledning	ZH	裝修指導
EL	Οδηγίες συναρμολόγησης	PL	Instrukcja montażu	AR	تعليمات التجميع

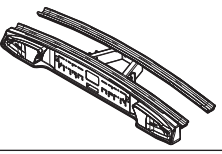

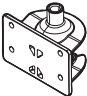
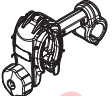
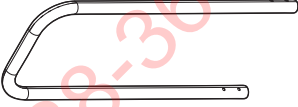







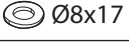










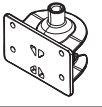
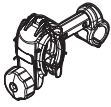







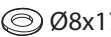




Watch video

Made in Italy



# MERAK TYPE S

N.	(IT)Componenti (Inclusi) (EN)Components (Included) (FR)Composants (Compris) (DE)Die Komponenten (im Lieferumfang enthalten) (ES)Componentes (Incluido)	Q.
1		1
2		4
3a		1
4		2
5		1
6		1
7		2
8		4
9		4
10	 M16x70	1
11	 2,5m / 8ft	1
12	 M8	4
13	 Ø8x17	8
14	 M6x45	4
15	 M8x20	4
16		4
18	 M6	4
19		2

N.	(IT)Ricambi (A Richiesta) (EN)Spare Parts (Made to order) (FR)Pièces de rechange (Sur commande) (DE)Teile (auf Anfrage) (ES)Piezas de recambio (Previa solicitud)	Q.	Codice-Code-Código
2		1	700003800000
7		2	
8		1	
3a		1	700003000000
4		1	700003200000
22	 DX	1	700033700000
23	 SX	1	700033800000
6		1	700033600000
9		2	700003900000
10	 M16x70	1	700004100000
11	 2,5m / 8ft	1	700001100000
12	 M8	4	700037000000
13	 Ø8x17	8	
14	 M6x45	4	
15	 M8x20	4	
16		4	
18	 M6	4	

+7(495)669-38-36

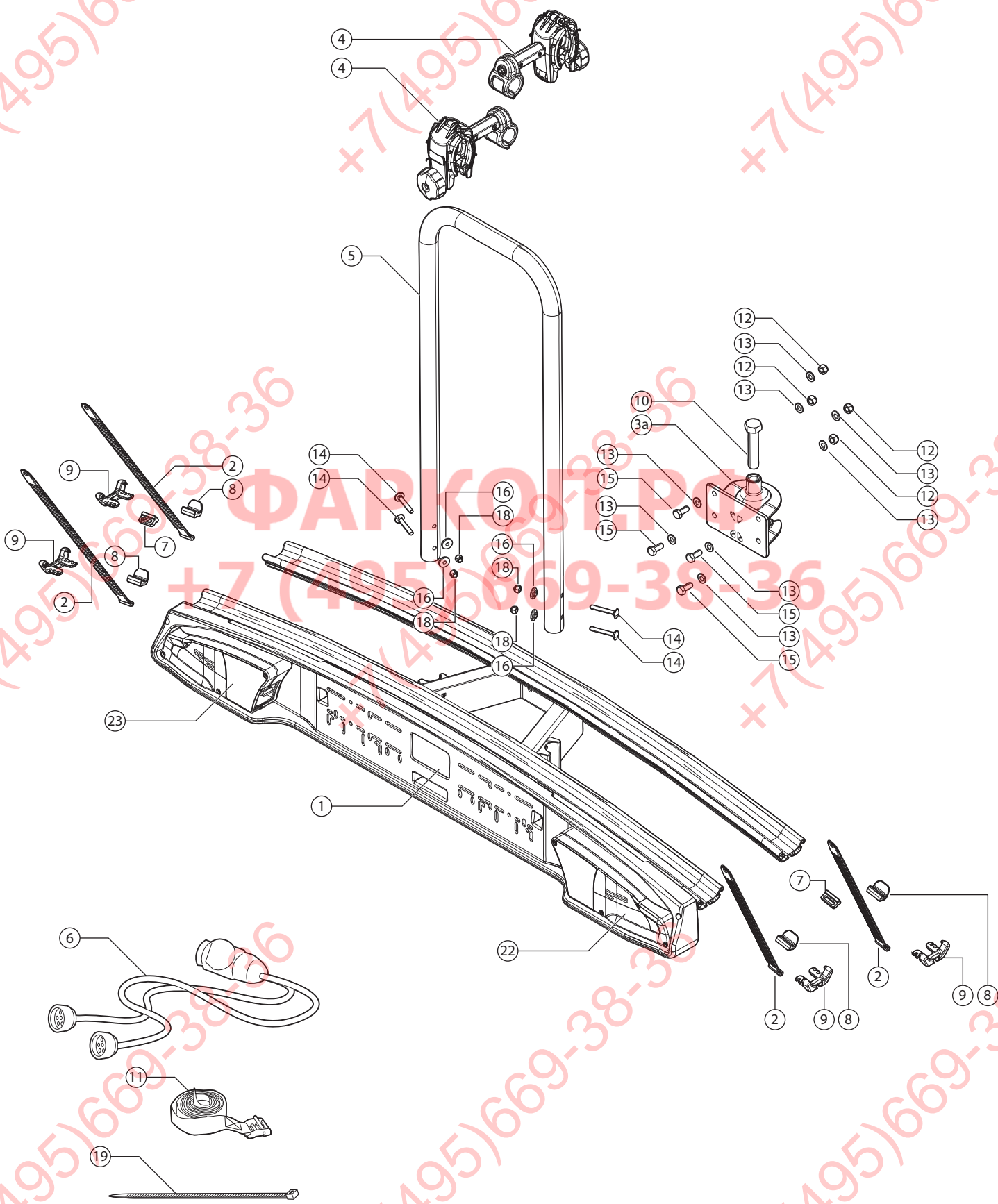
+7(495)669-38-36

+7(495)669-38-36

+7(495)669-38-36

+7(495)669-38-36

+7(495)669-38-36

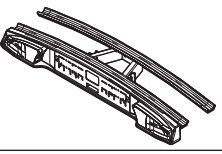

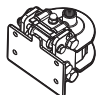
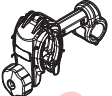
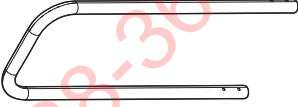







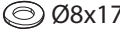











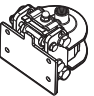

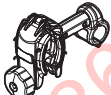

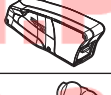





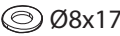

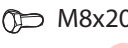



+7(495)669-38-36

+7(495)669-38-36

+7(495)669-38-36

# MERAK TYPE K

N.	(IT)Componenti (Inclusi) (EN)Components (Included) (FR)Composants (Comprises) (DE)Die Komponenten (im Lieferumfang enthalten) (ES)Componentes (Incluido)	Q.
1		1
2		4
3b		1
4		2
5		1
6		1
7		2
8		4
9		4
10	 M16x70	1
11	 2,5m / 8ft	1
12	 M8	4
13	 Ø8x17	4
14	 M6x45	4
15	 M8x20	4
16		4
17		1
18	 M6	4
19		2

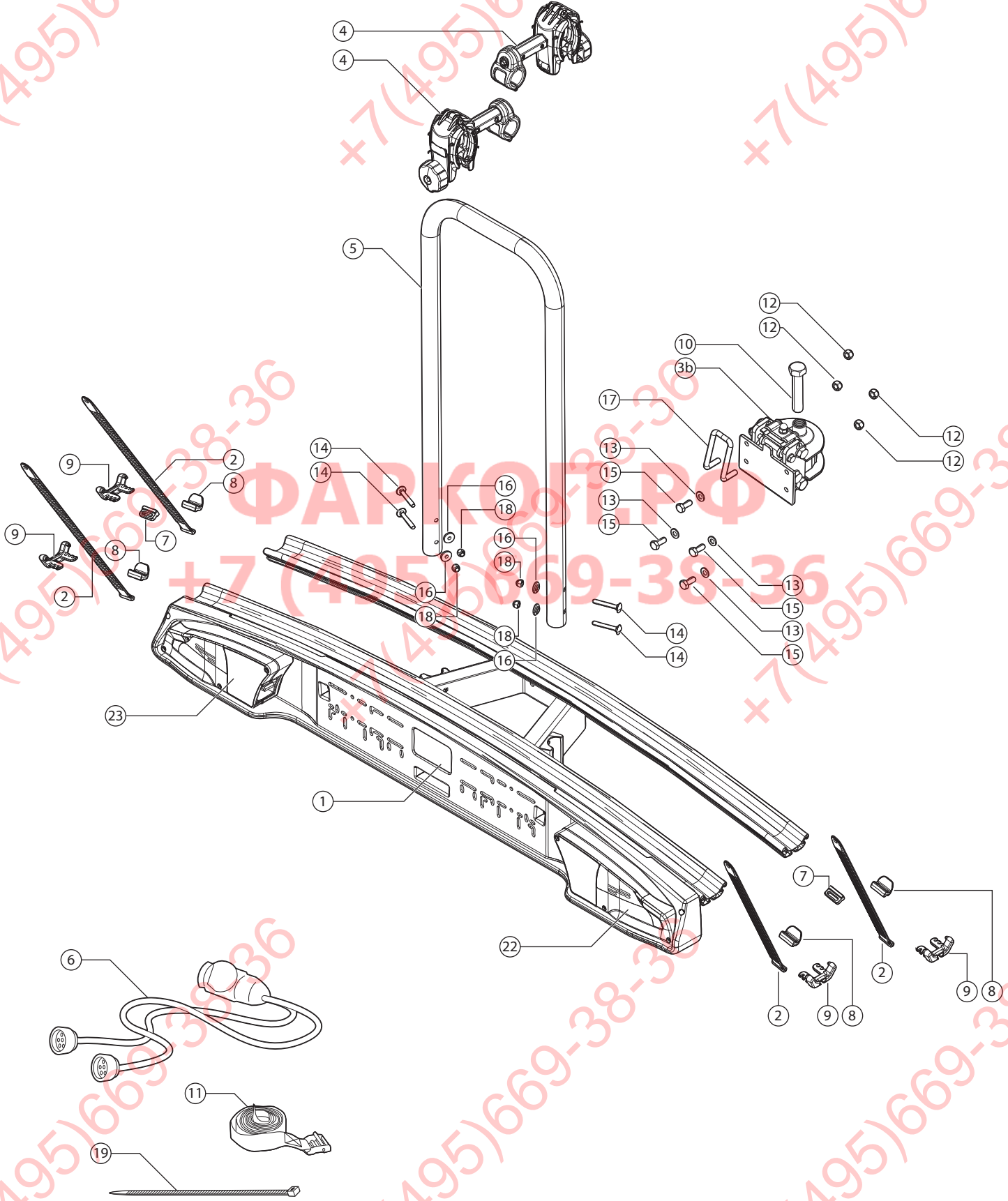
N.	(IT)Ricambi (A Richiesta) (EN)Spare Parts (Made to order) (FR)Pièces de rechange (Sur commande) (DE)Teile (auf Anfrage) (ES)Piezas de recambio (Previa solicitud)	Q.	Codice-Code-Código
2		1	700003800000
7		2	
8		1	
3b		1	700011500000
17		1	
4		1	700003200000
22	 DX	1	700033700000
23	 SX	1	700033800000
6		1	700033600000
9		1	700003900000
10	 M16x70	1	700004100000
11	 2,5m / 8ft	1	700001100000
12	 M8	4	700037000000
13	 Ø8x17	8	
14	 M6x45	4	
15	 M8x20	4	
16		4	
18	 M6	4	
17		1	



+7(495)669-38-36

+7(495)669-38-36

+7(495)669-38-36



+7(495)669-38-36

+7(495)669-38-36

+7(495)669-38-36

+7(495)669-38-36

+7(495)669-38-36

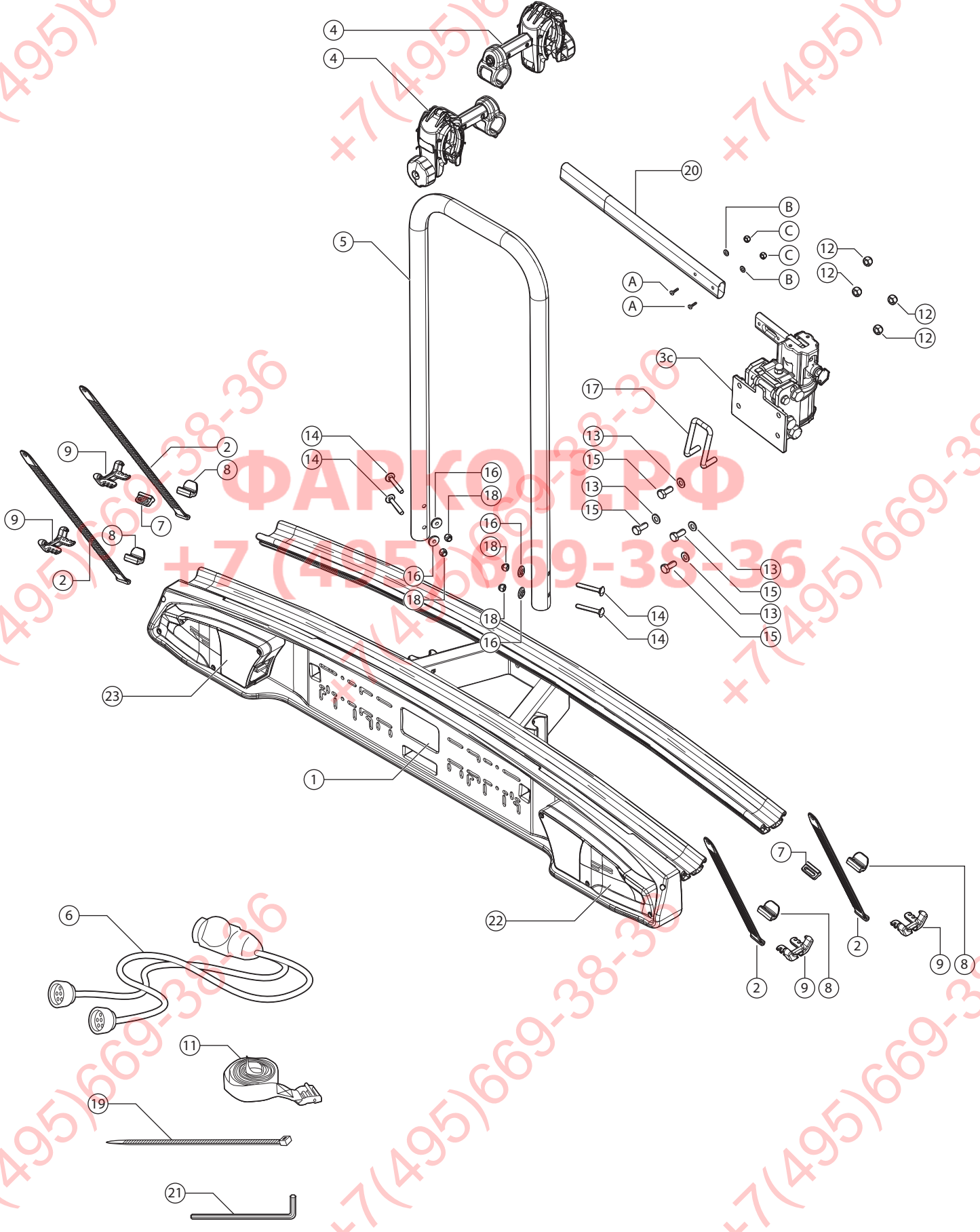
+7(495)669-38-36

# MERAK TYPE Q

N.	(IT)Componenti (Inclusi) (EN)Components (Included) (FR)Composants (Comprises) (DE)Die Komponenten (im Lieferumfang enthalten) (ES)Componentes (Incluido)	Q.
1		1
2		4
3c		1
4		2
5		1
6		1
7		2
8		4
9		4
11		1
12		4
13		4
14		4
15		4
16		4
17		1
18		4
19		2
20		1
21		1



N.	(IT)Ricambi (A Richiesta) (EN)Spare Parts (Made to order) (FR)Pièces de rechange (Sur commande) (DE)Teile (auf Anfrage) (ES)Piezas de recambio (Previa solicitud)	Q.	Codice-Code-Código
2		1	700003800000
7		2	
8		1	
3c		1	700011400000
17		1	
20		1	
21		1	
4		1	700003200000
22		1	700033700000
23		1	700033800000
6		1	700033600000
9		1	700003900000
11		1	700001100000
12		4	700037000000
13		8	
14		4	
15		4	
16		4	
18		4	
17		1	

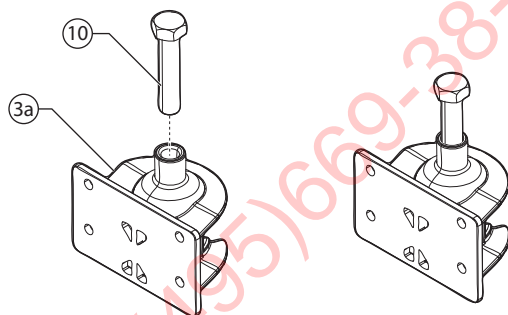
+7(495)669-38-36






1

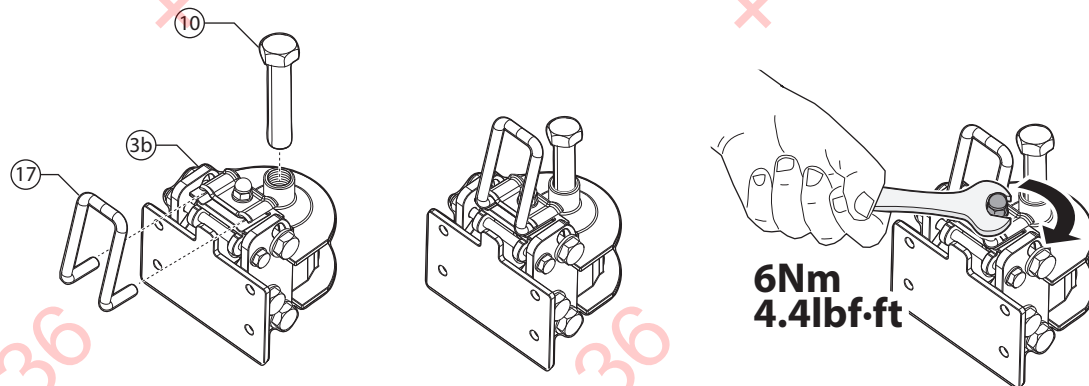
**TYPE S**

N.		Q.
3a		1
10	 M16x70	1



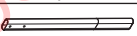
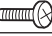




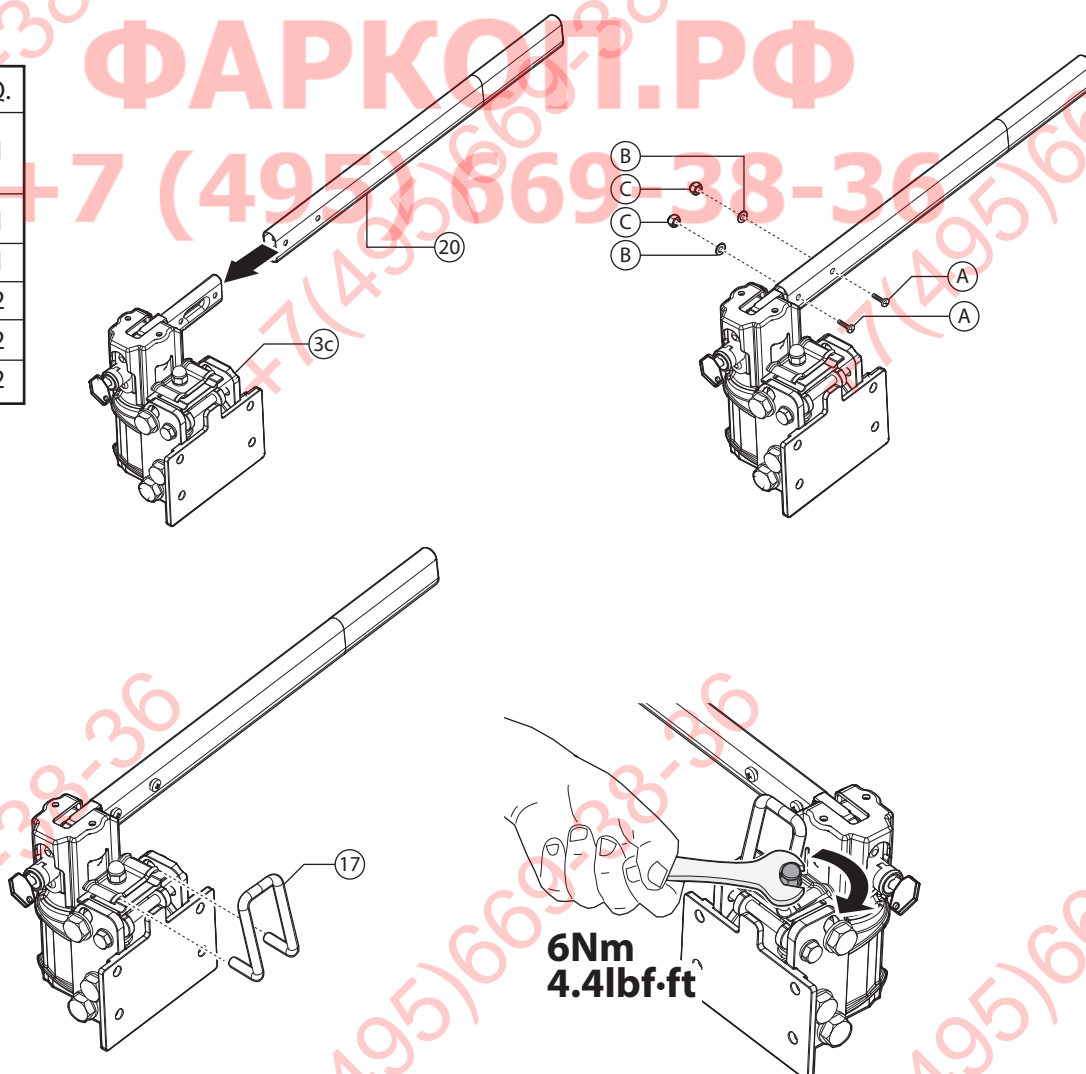
**TYPE K**

N.		Q.
3b		1
10	 M16x70	1
17		1







**TYPE Q**

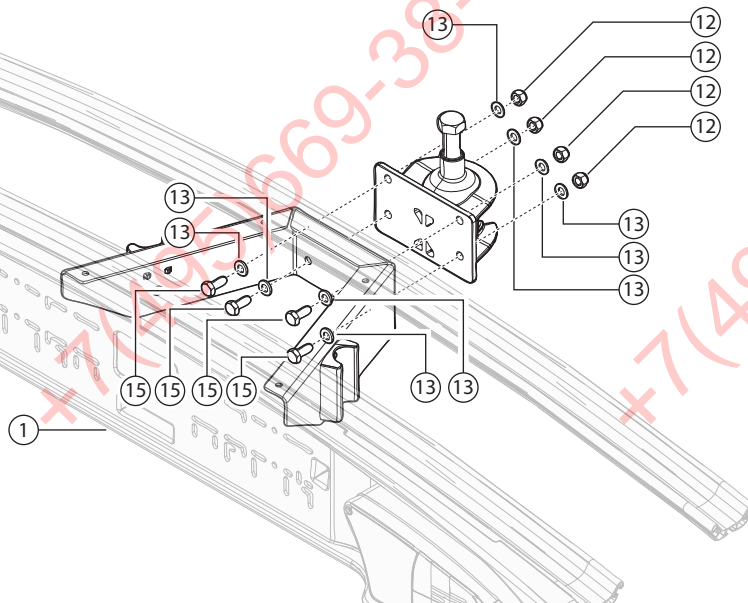
N.		Q.
3c		1
17		1
20		1
A		2
B		2
C		2



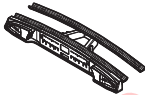





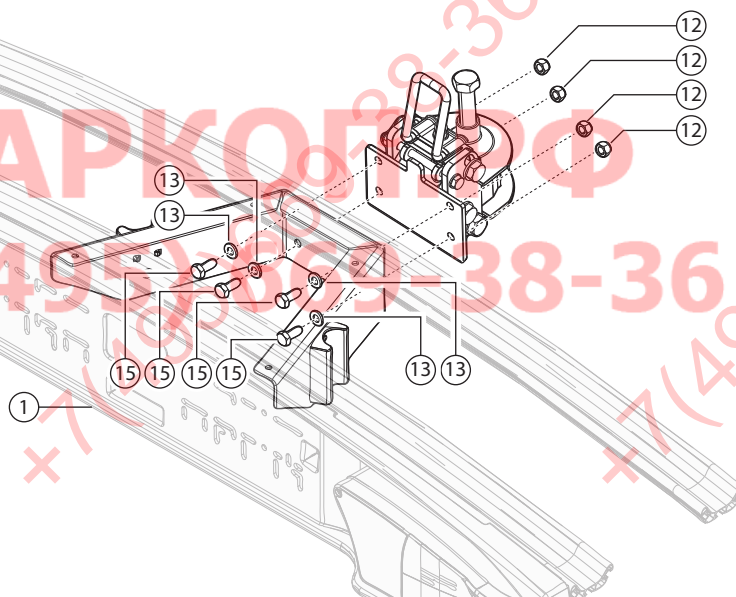
**TYPE S**

N.		Q.
1		1
12	 M8	4
13	 Ø8x17	8
15	 M8x20	4

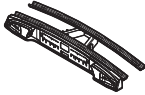





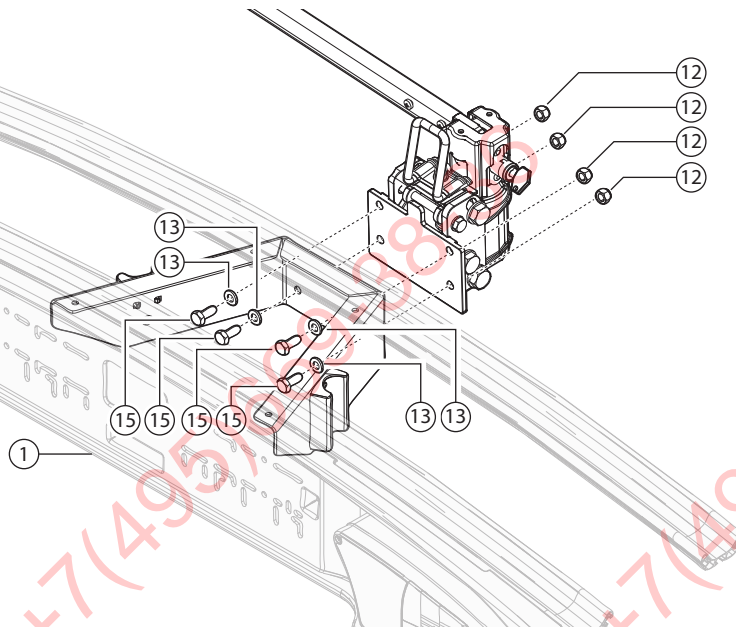
**TYPE K**

N.		Q.
1		1
12	 M8	4
13	 Ø8x17	4
15	 M8x20	4



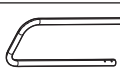

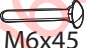

**TYPE Q**

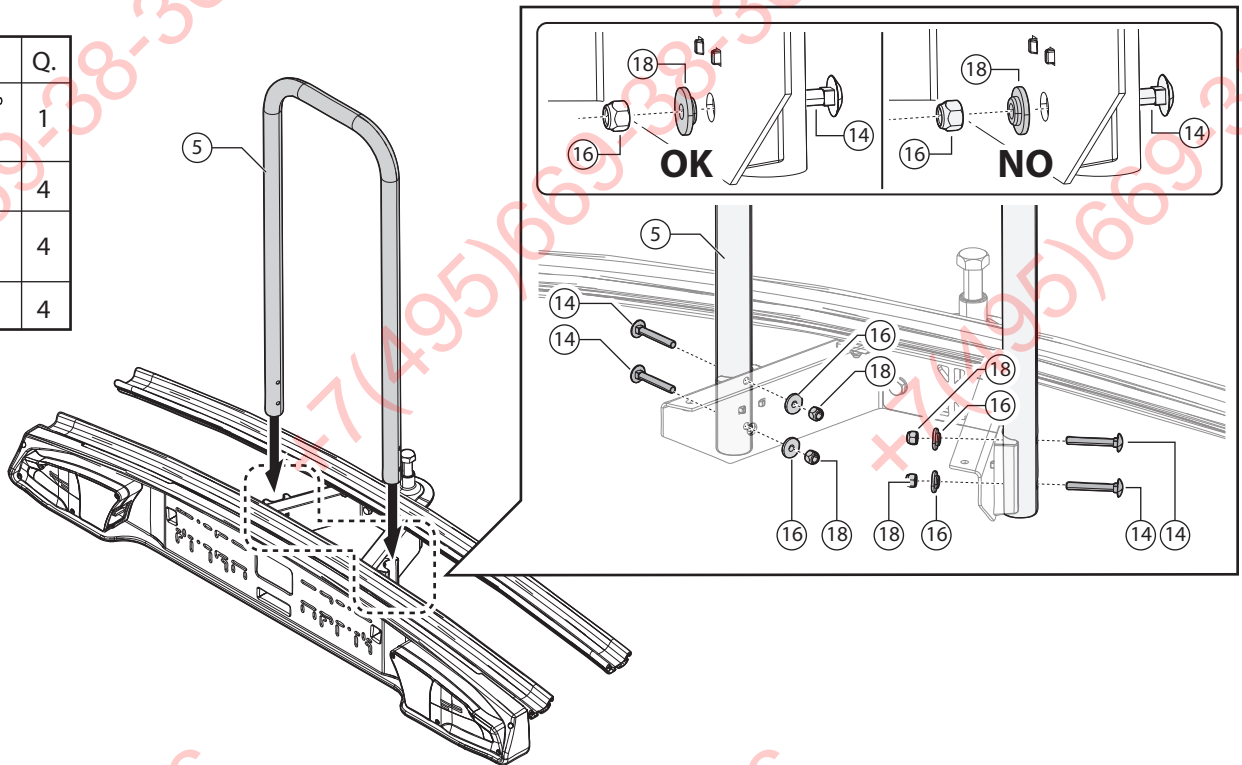
N.		Q.
1		1
12	 M8	4
13	 Ø8x17	4
15	 M8x20	4







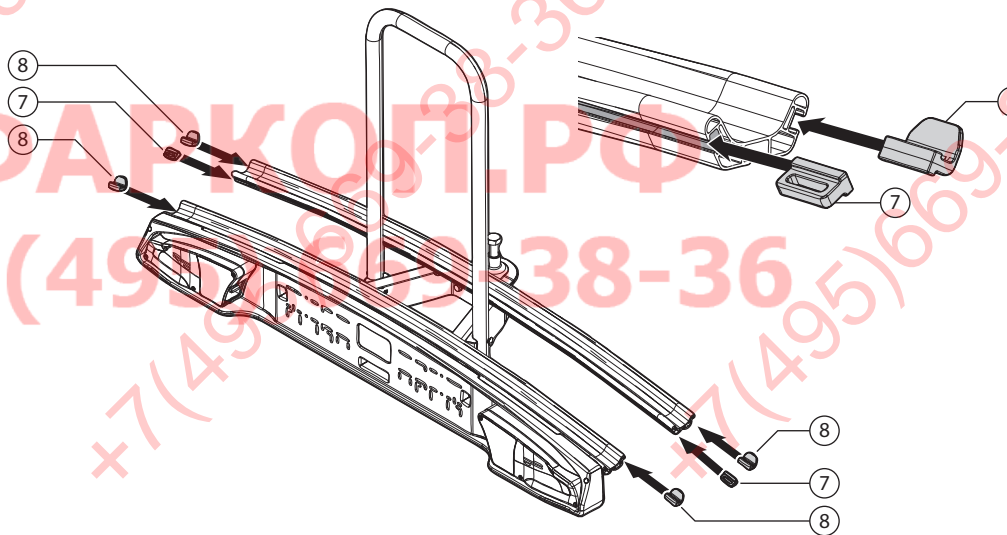
3—TYPE S / TYPE K / TYPE Q

N.		Q.
5		1
18		4
14		4
16		4



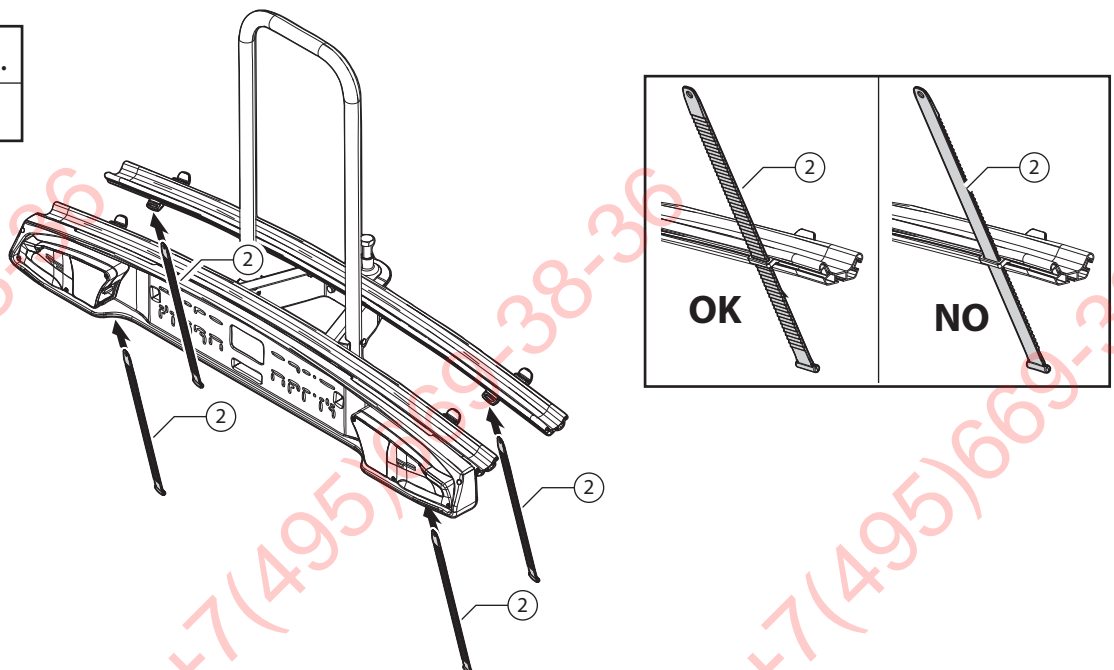
4—TYPE S / TYPE K / TYPE Q

N.		Q.
7		2
8		4




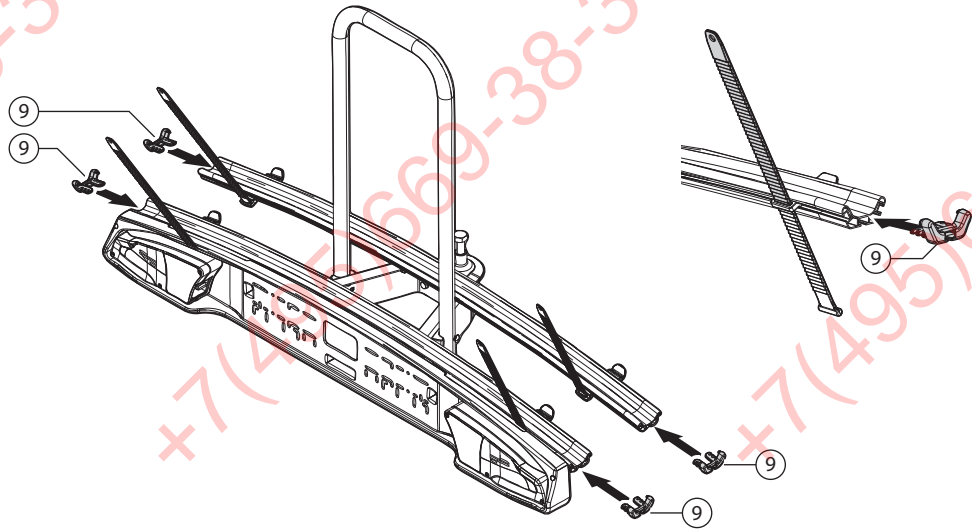
5—TYPE S / TYPE K / TYPE Q

N.		Q.
2		4

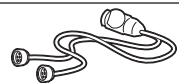


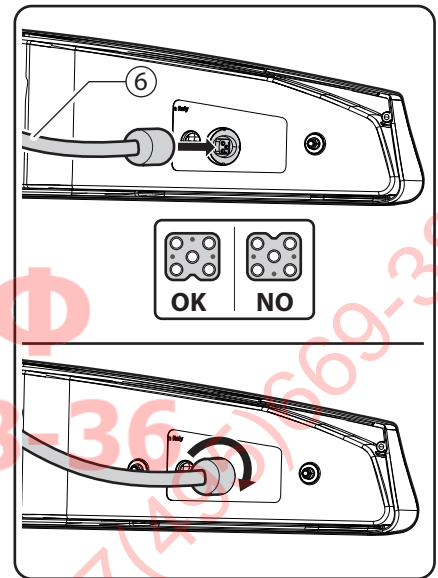
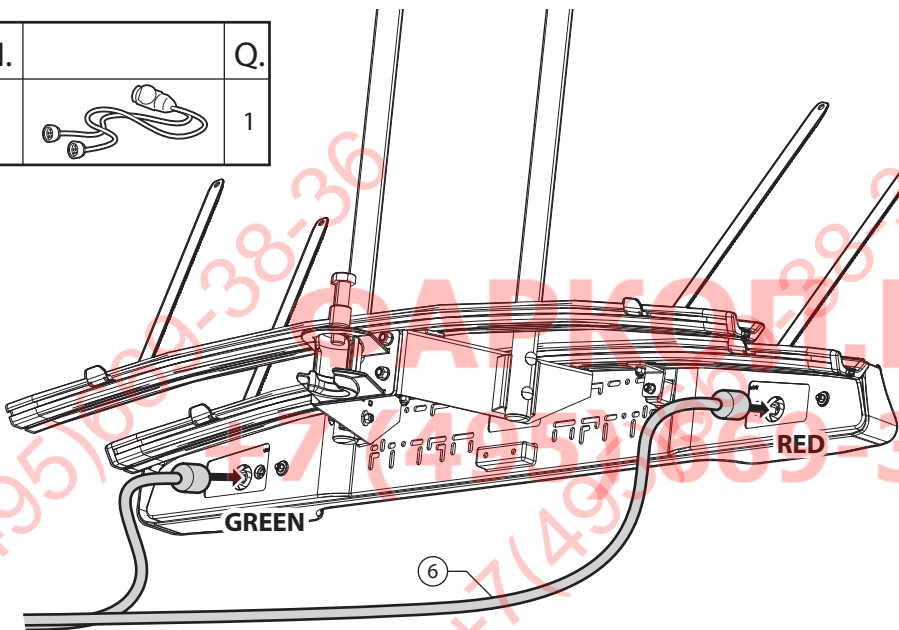
⑥—TYPE S / TYPE K / TYPE Q

N.		Q.
9		4

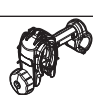



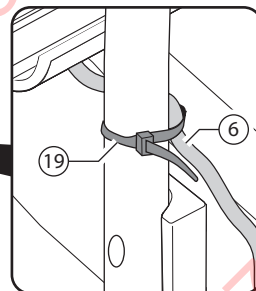
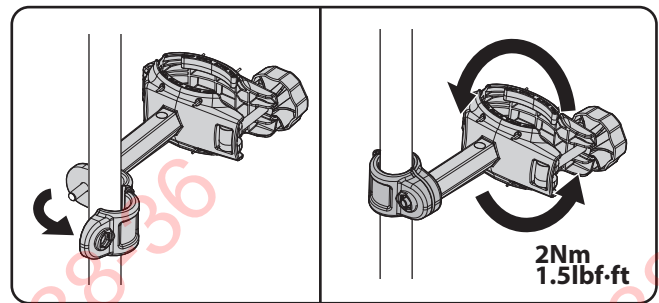
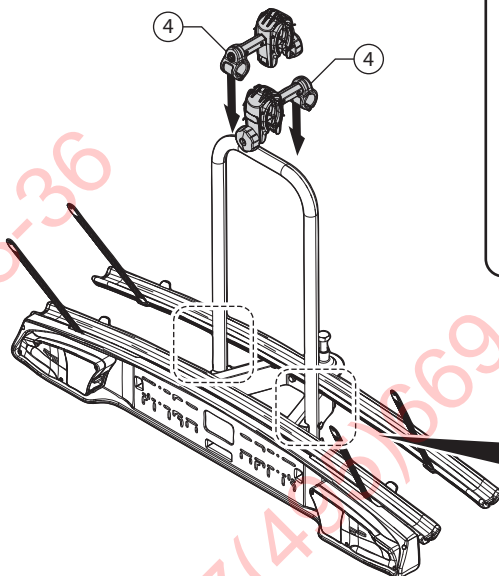
⑦—TYPE S / TYPE K / TYPE Q

N.		Q.
6		1

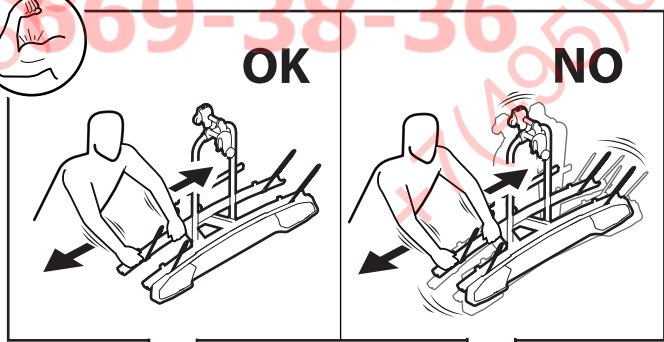
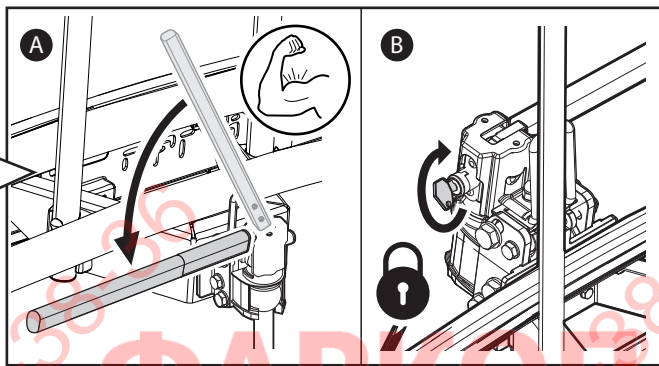
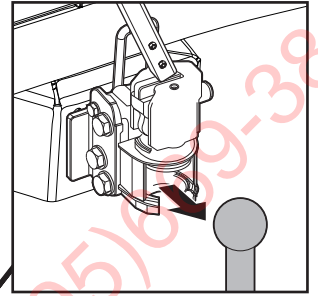
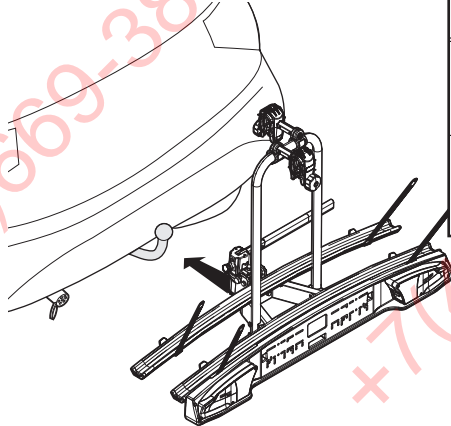
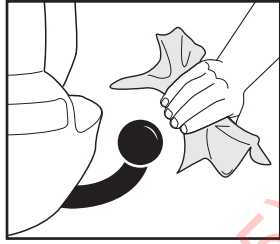
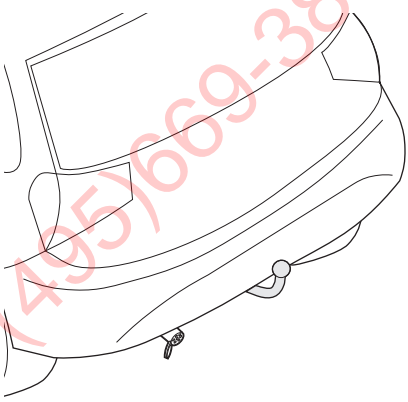


⑧—TYPE S / TYPE K / TYPE Q

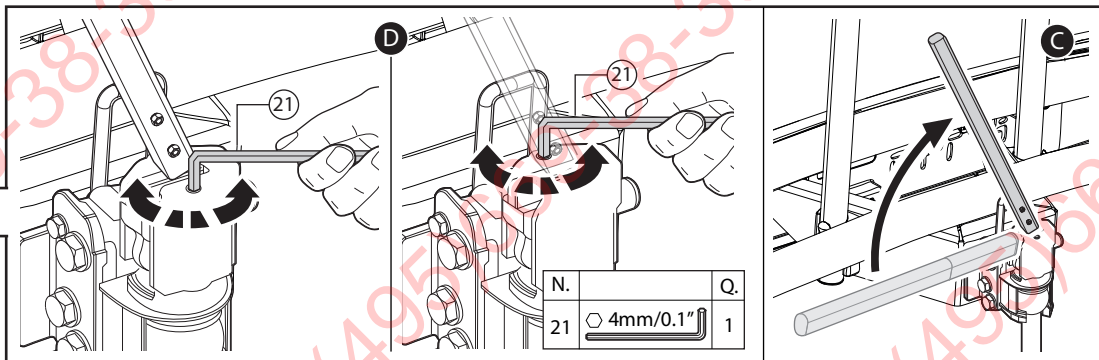
N.		Q.
4		2
19		2



TYPE Q



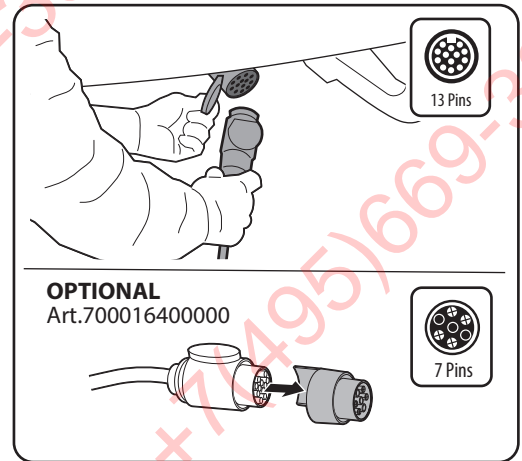
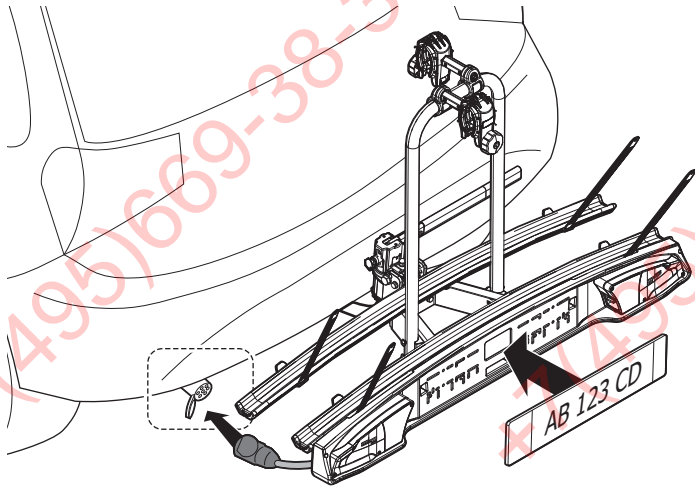
pag.13



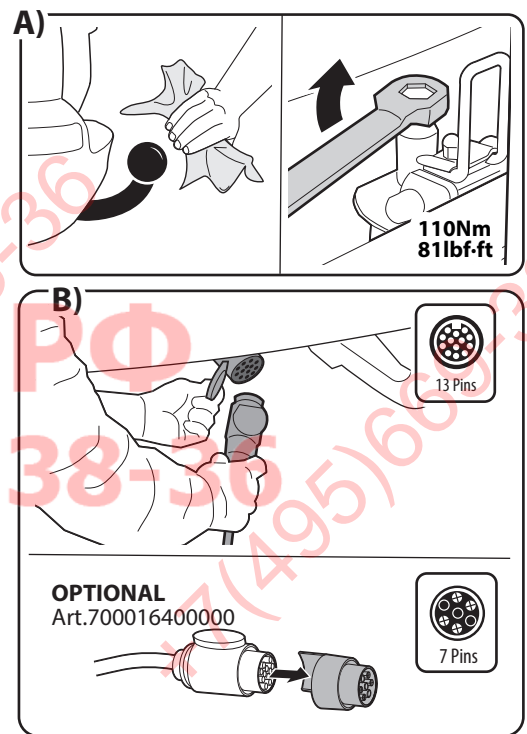
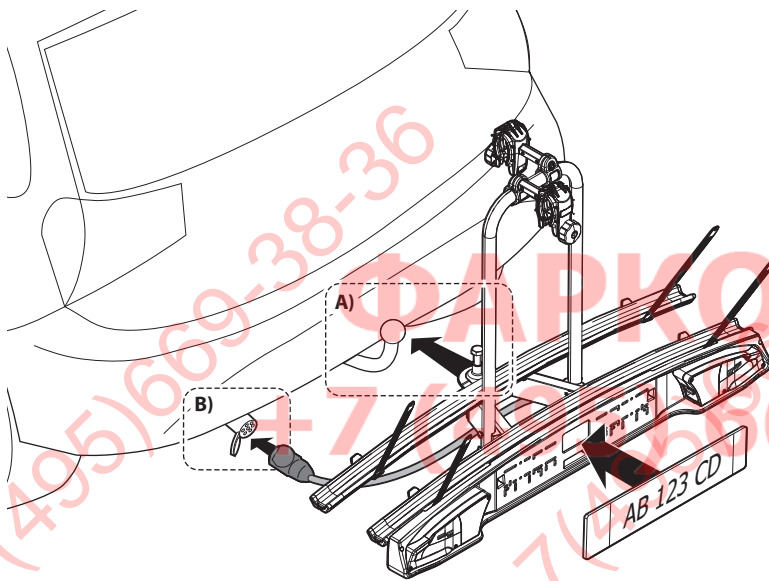
N.	Q.
21	1

4mm/0.1"

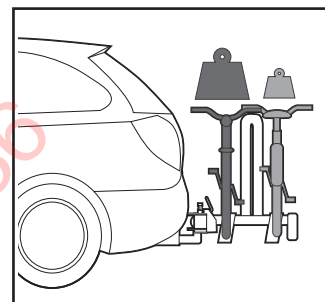
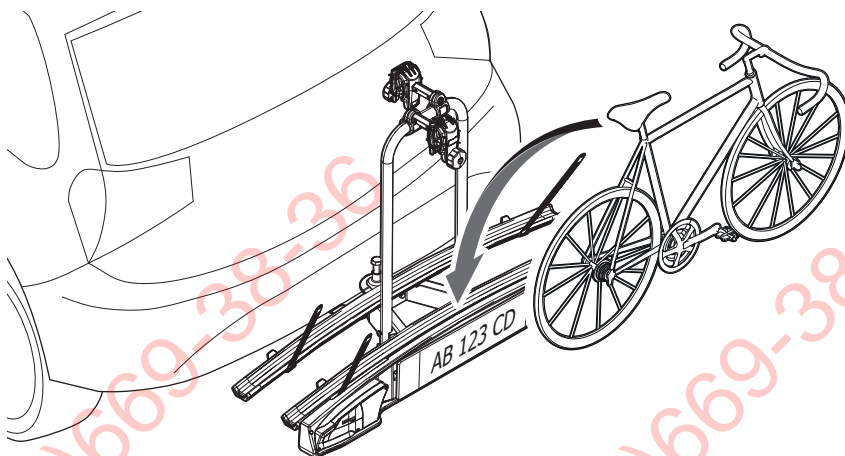
**TYPE Q**



**TYPE S / TYPE K**



**10 TYPE S / TYPE K / TYPE Q**



**MIN** Ø30 mm / 1,2"  
**MAX** Ø50 mm / 2"  
**MIN** 30x60 mm / 1,2"x2,4"  
**MAX** 50x70 mm / 2"x2,7"



**MIN** 22"

**MAX** 29"



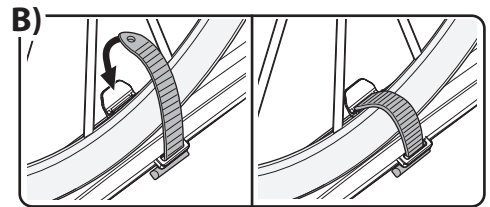
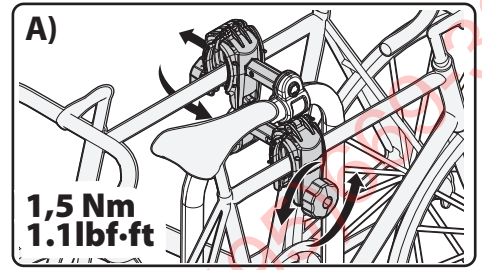
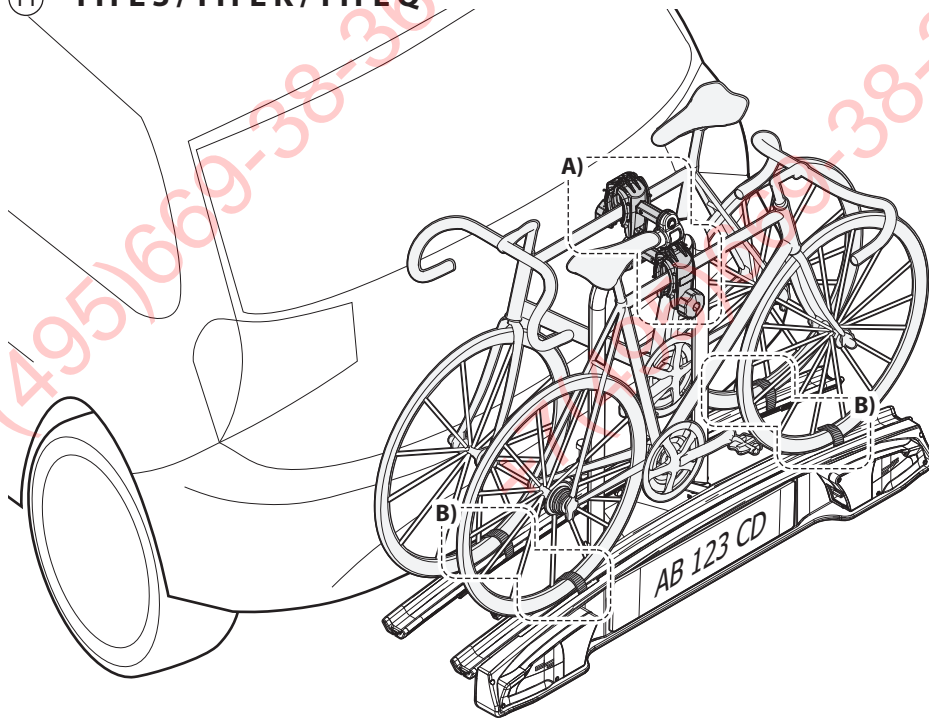
**MAX** 65mm / 2.5"




**MAX** 1260mm / 49,6"

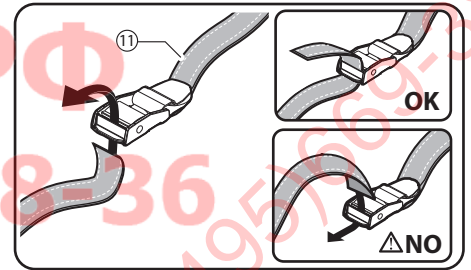
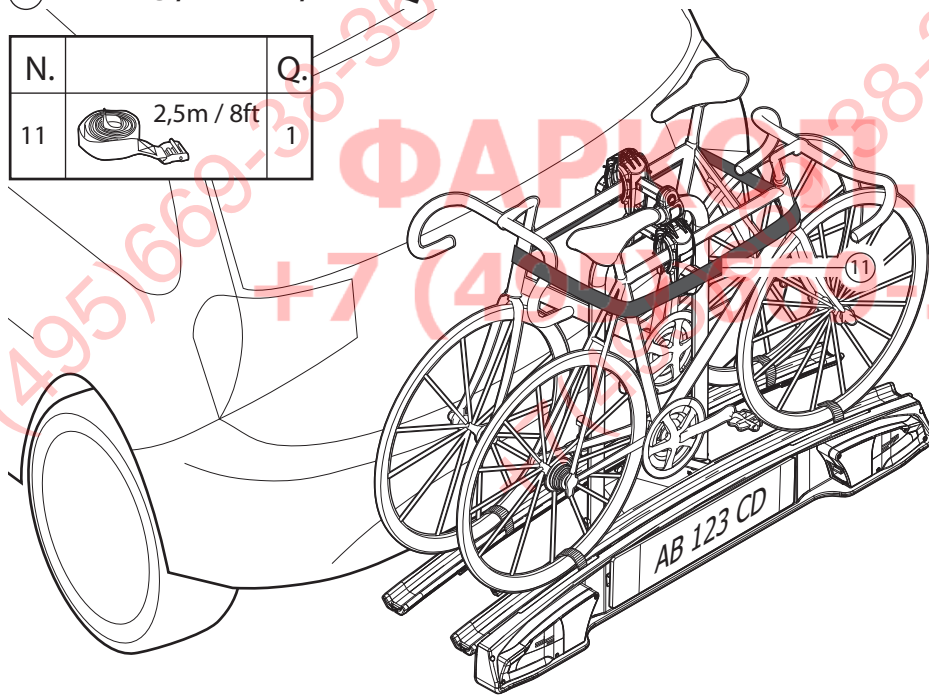


11 TYPE S / TYPE K / TYPE Q

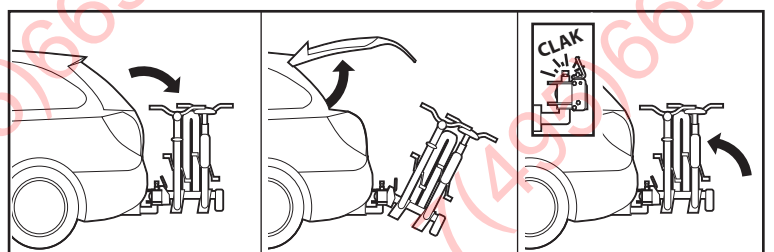
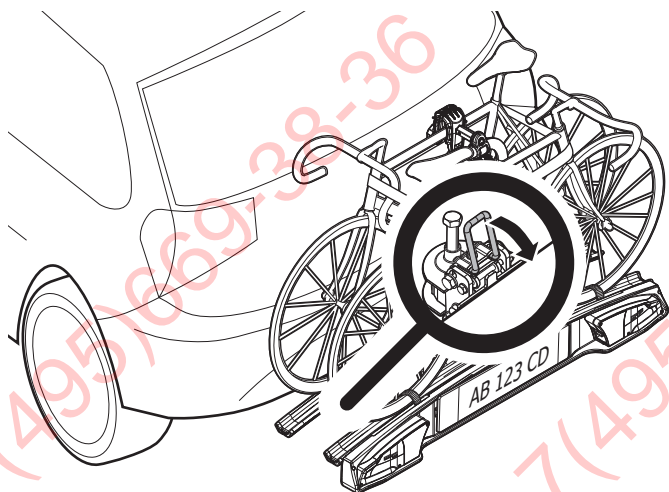


12 TYPE S / TYPE K / TYPE Q

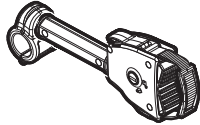

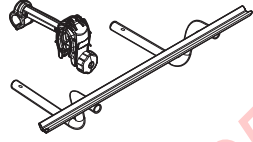
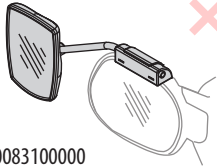
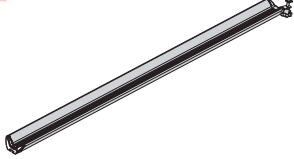
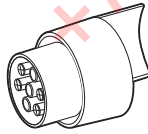
N.		Q.
11	 2,5m / 8ft	1







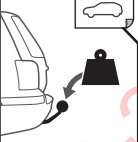


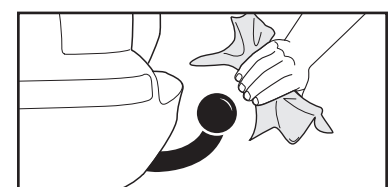
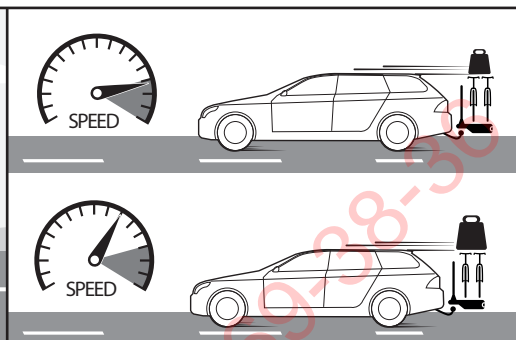
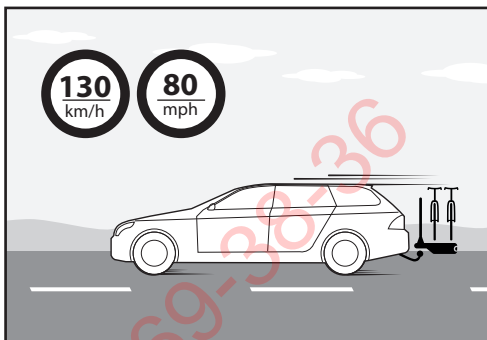
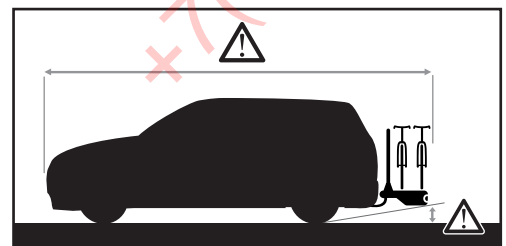
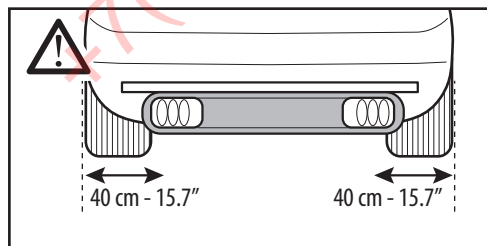
TYPE K / TYPE Q





OPTIONAL		
<b>BRACCETTO CORTO</b>  Art.000103900000	<b>POMELLO ANTIFURTO</b>  Art.000026400000	<b>KIT 2+1</b>  Art.000117800000
<b>EVIDENCE MIRROR</b>  Art.000083100000	<b>RAMPA</b>  Art.000082100000	<b>ADATTATORE 7 PIN</b>  Art.700016400000

MAX 94/20/CE STANDARD	Type S	Type K	Type Q	Standard x2	E-bike x1	Car Manual
 50 kg - 110lb 60 kg - 132.3lb 70 kg - 154.3lb 80 kg - 176.4lb >80 kg - 176.4lb	 9,6 kg / 21lb	 10,6 kg / 23.3lb	 11,7 kg / 25.8lb	 OR  MAX 25kg - 55lb		
				45kg / 99lb		
				45kg / 99lb		
				45kg / 99lb		
				45kg / 99lb		
				45kg / 99lb		



+7(495)669-38-36

+7(495)669-38-36

+7(495)669-38-36

+7(495)669-38-36

+7(495)669-38-36

+7(495)669-38-36

# ΦΑΡΚΟΓ.ΡΦ

## +7 (495) 669-38-36



**F.lli Menabò S.r.l.**  
Via 8 Marzo, 3  
42025 Cavriago (RE) Italy  
cutomercare@flli-menabo.it  
www.menabocaraccessories.com

### Product registration

IT) [eu.menabocaraccessories.com/ita/product-support-ita](http://eu.menabocaraccessories.com/ita/product-support-ita)  
EN) [eu.menabocaraccessories.com/eng/product-support-eng](http://eu.menabocaraccessories.com/eng/product-support-eng)  
DE) [eu.menabocaraccessories.com/deu/product-support-deu](http://eu.menabocaraccessories.com/deu/product-support-deu)  
FR) [eu.menabocaraccessories.com/fra/product-support-fra](http://eu.menabocaraccessories.com/fra/product-support-fra)  
ES) [eu.menabocaraccessories.com/esp/product-support-esp](http://eu.menabocaraccessories.com/esp/product-support-esp)

Cod.Istr.	Data
500034100001	15/12/2020

www.menabocaraccessories.com

Name

Surname

Email

Telephone

Serial number

Product name

+7(495)669-38-36

+7(495)669-38-36

+7(495)669-38-36